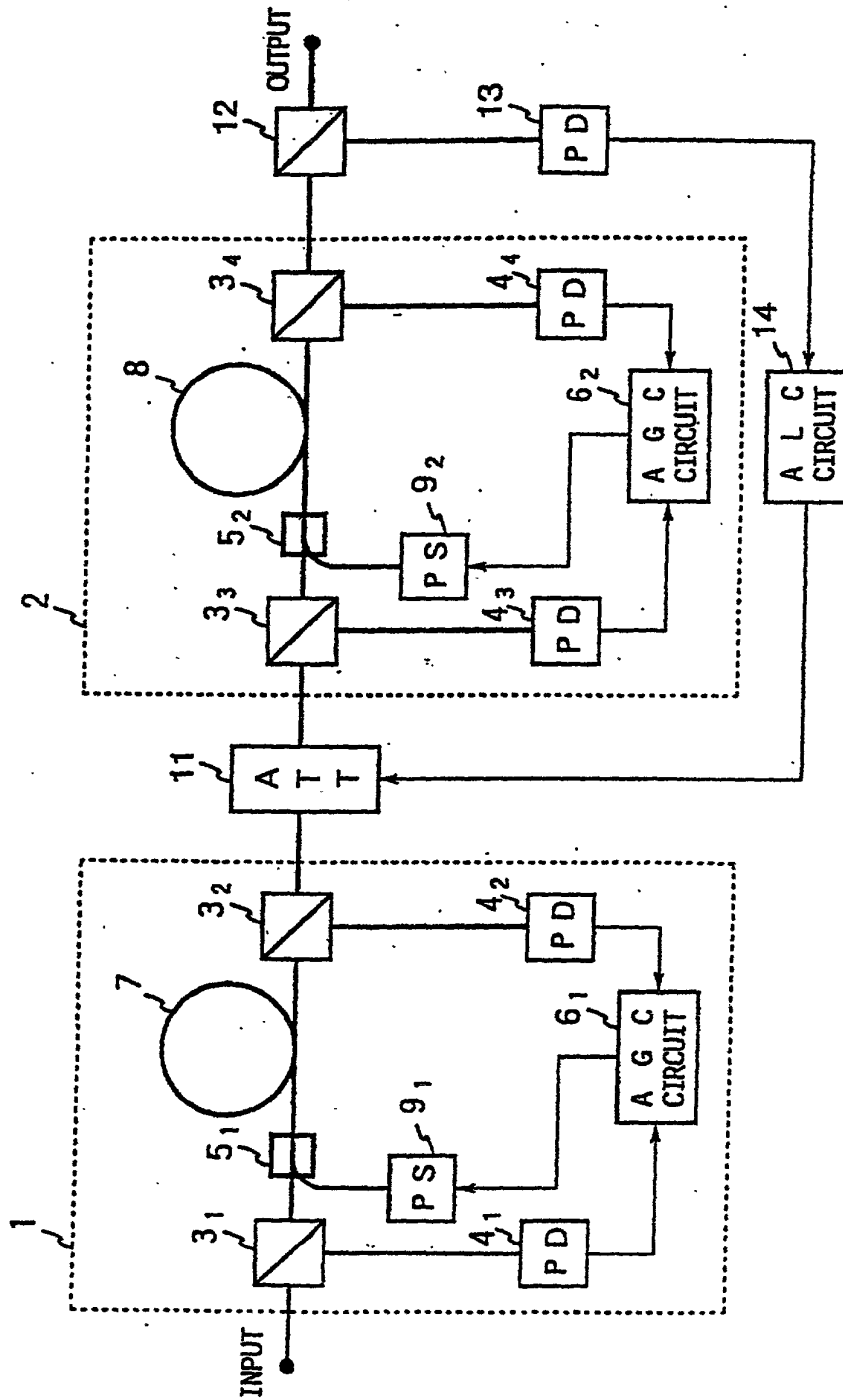


Patented by the U.S. Patent Office under Pat. No. 2,800,000, issued May 13, 1958.

FIG. 1



Small text at the top of the page, possibly a header or page number, which is mostly illegible due to the quality of the scan.

FIG. 2

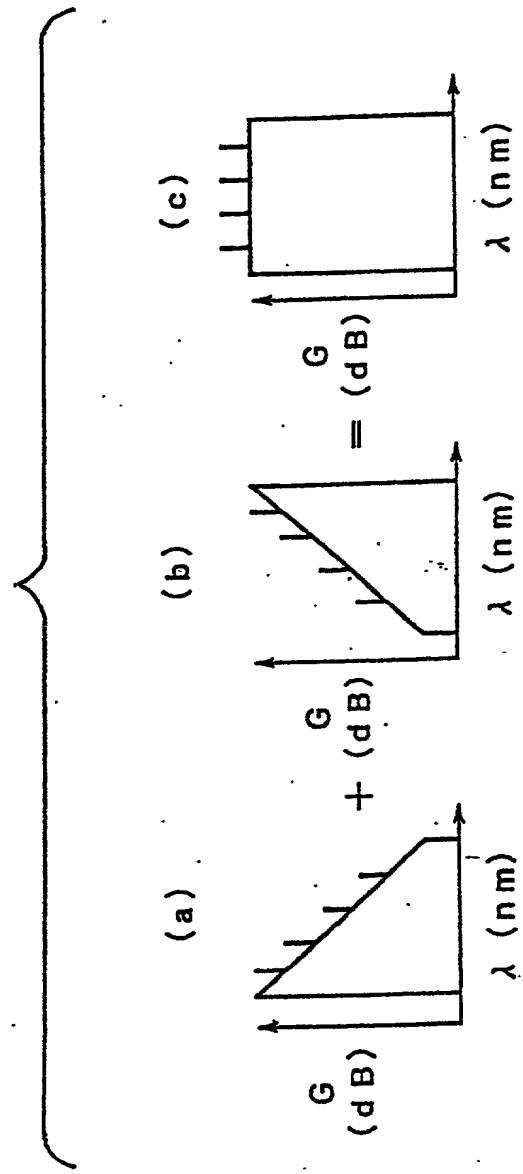


FIG. 3

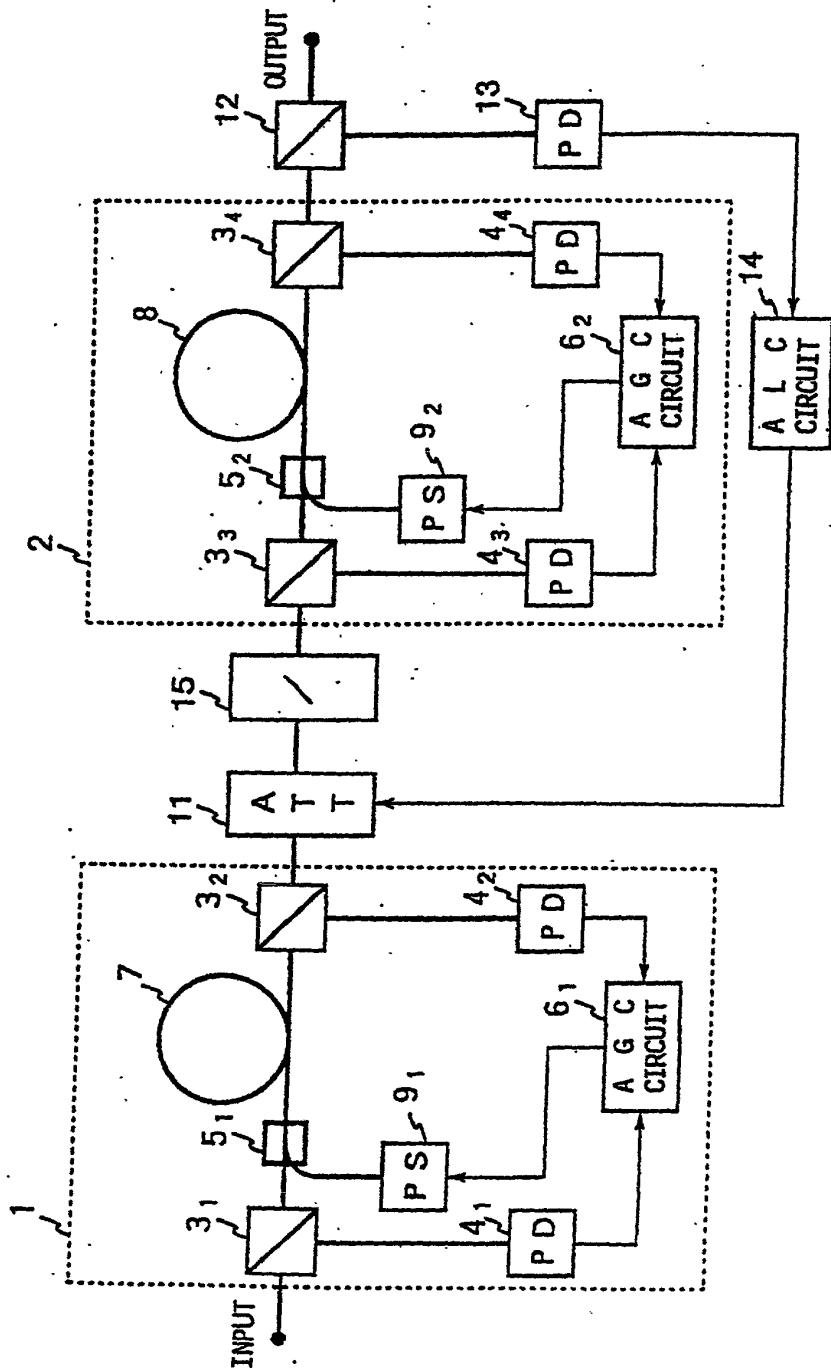


FIG. 4

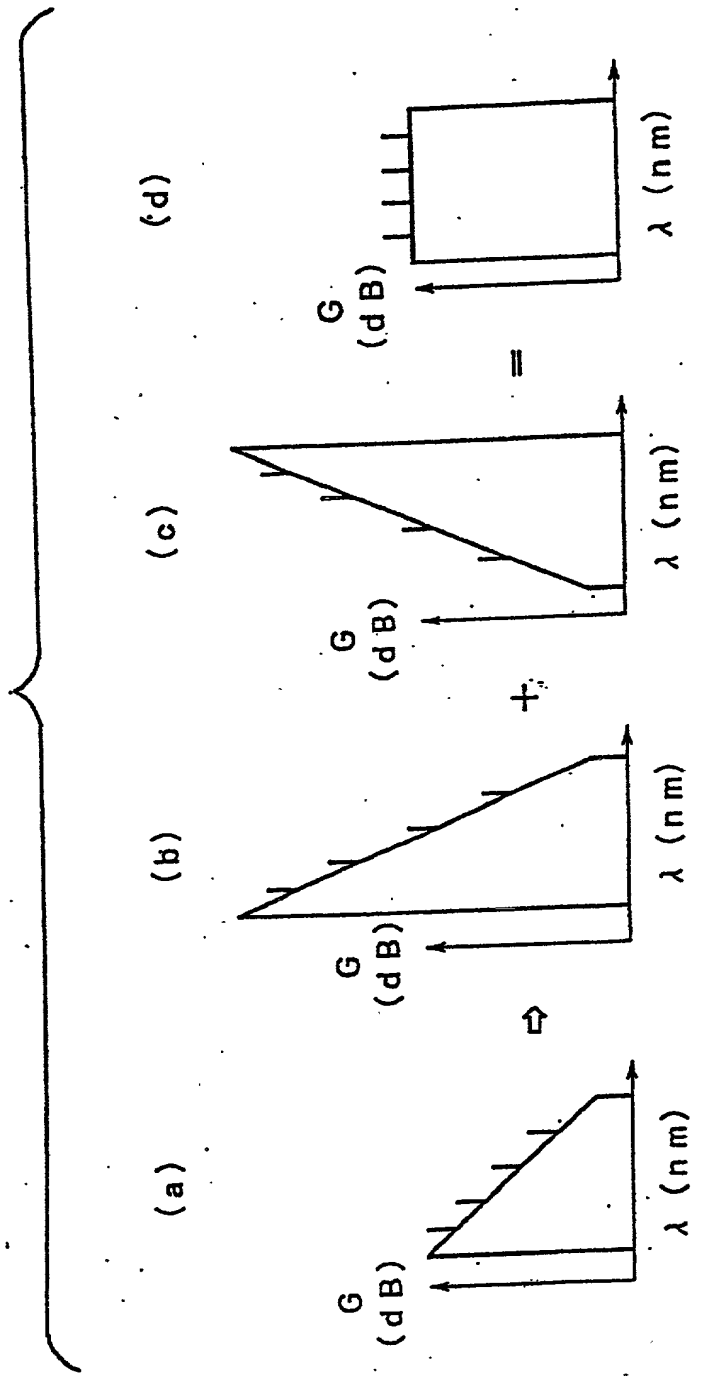


FIG. 5

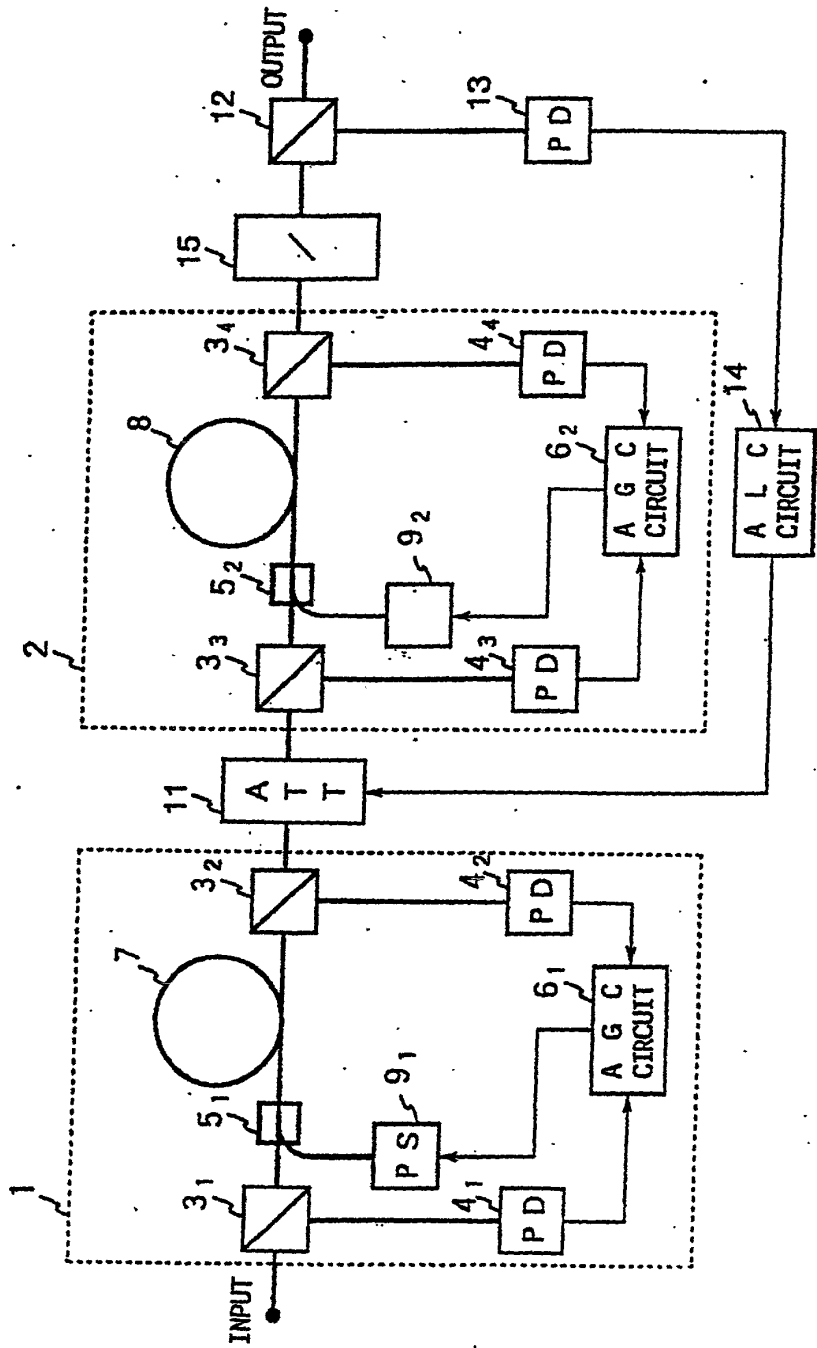


FIG. 6

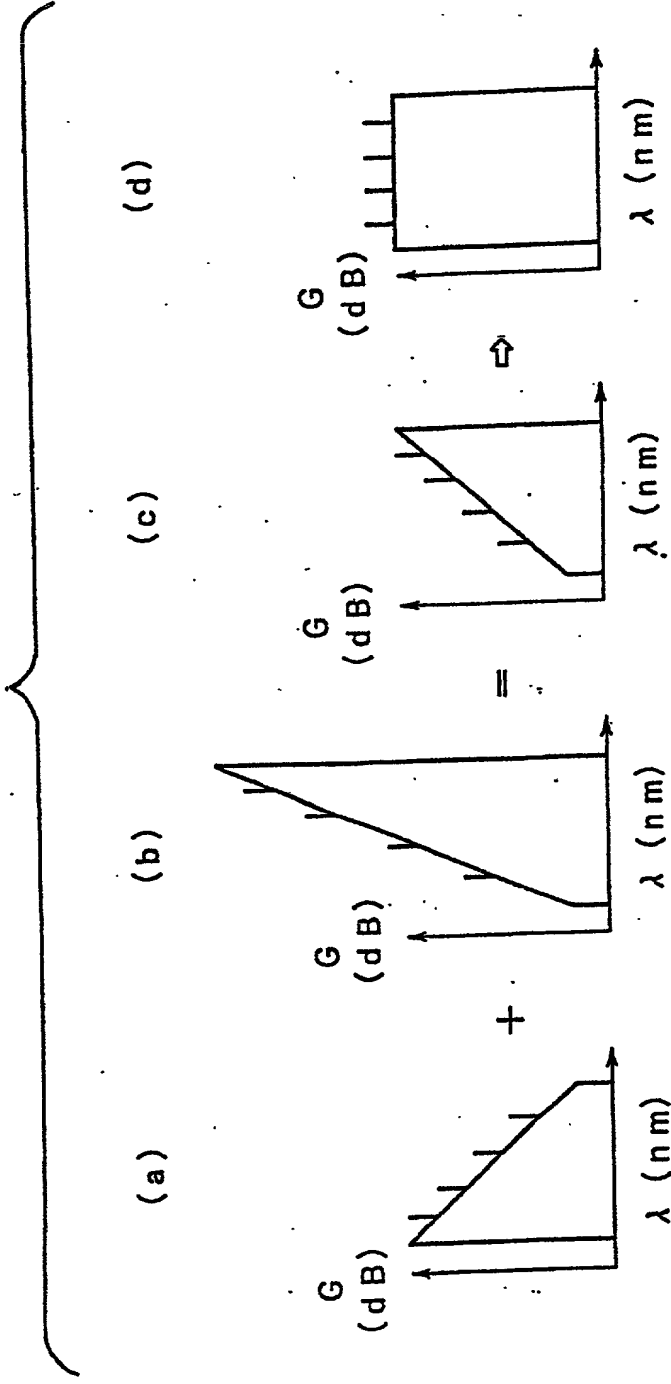


FIG. 7A

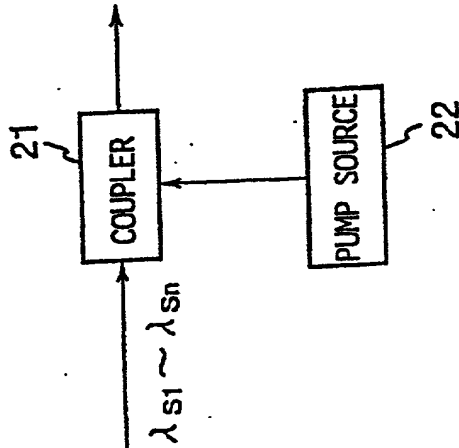


FIG. 7B

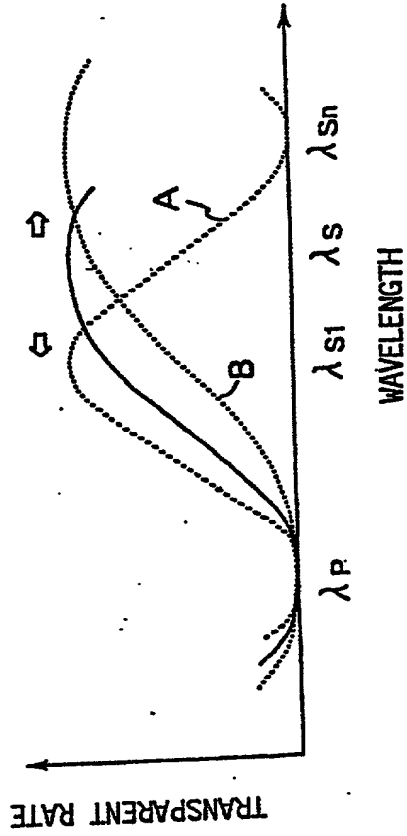
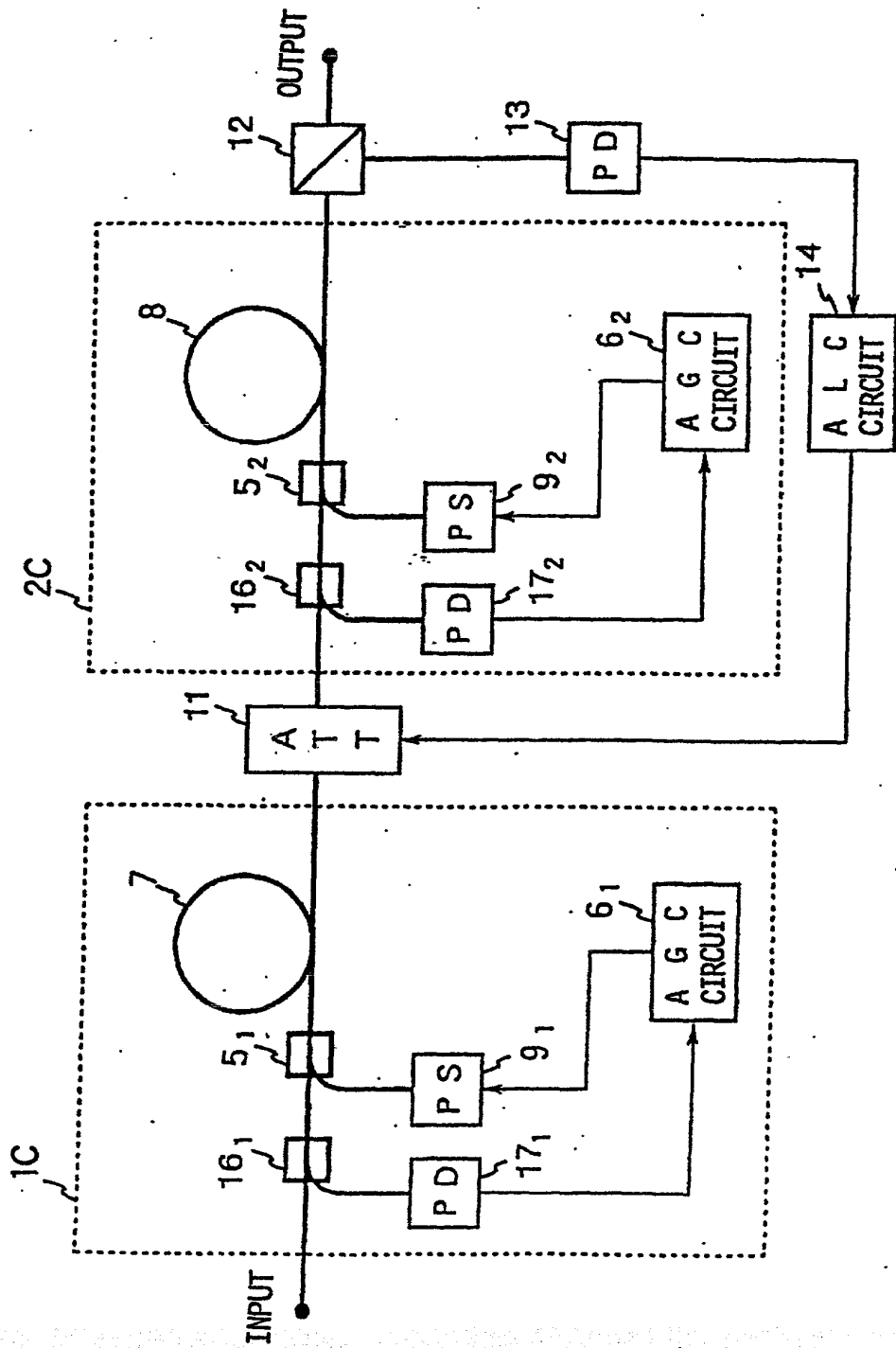
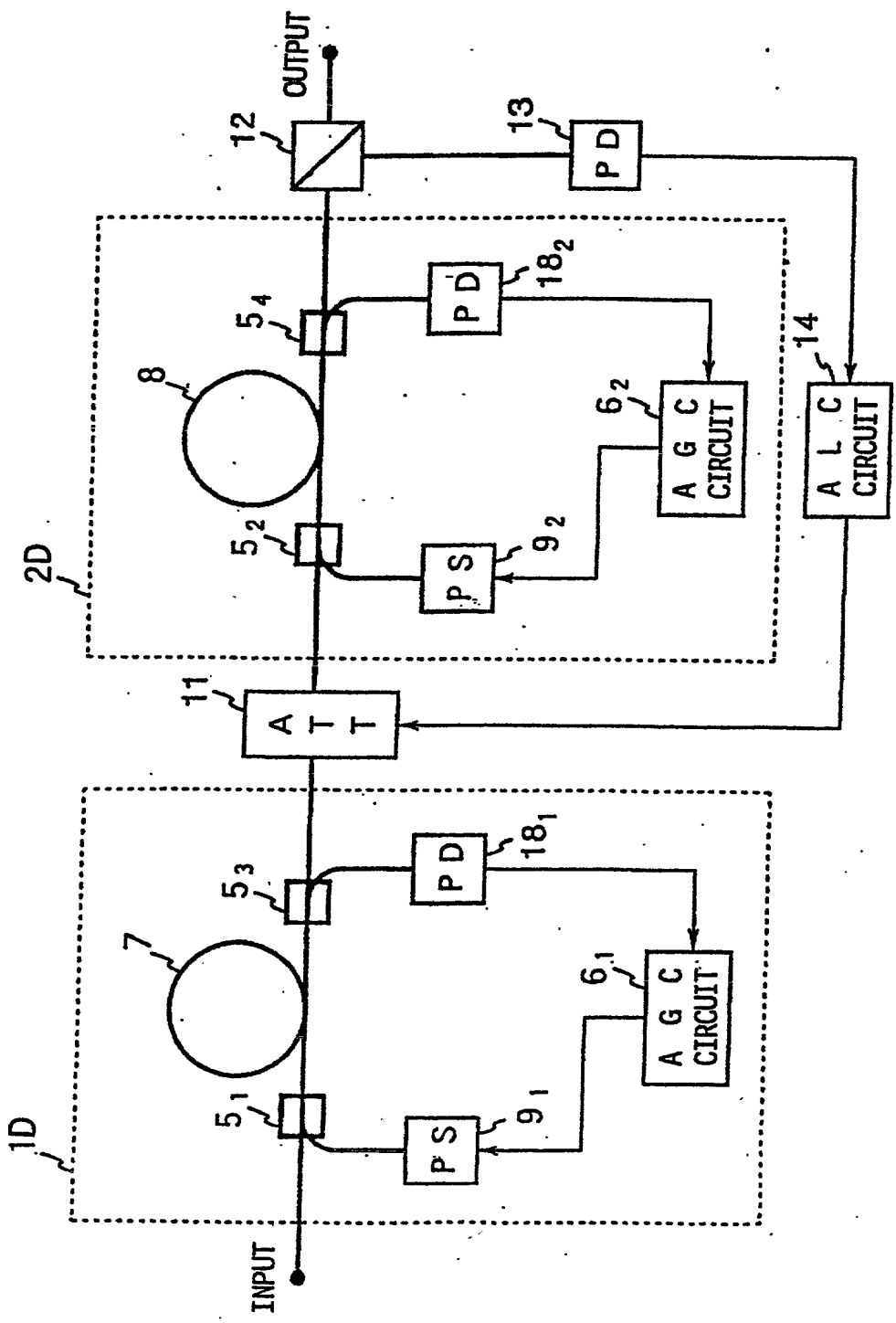


FIG. 11



Patent Office of the United States Department of Commerce

FIG. 12



THIS DOCUMENT CONTAINS INFORMATION OF A NATURE THAT REQUIRES PROTECTION FROM UNLAWFUL DISCLOSURE

FIG. 13

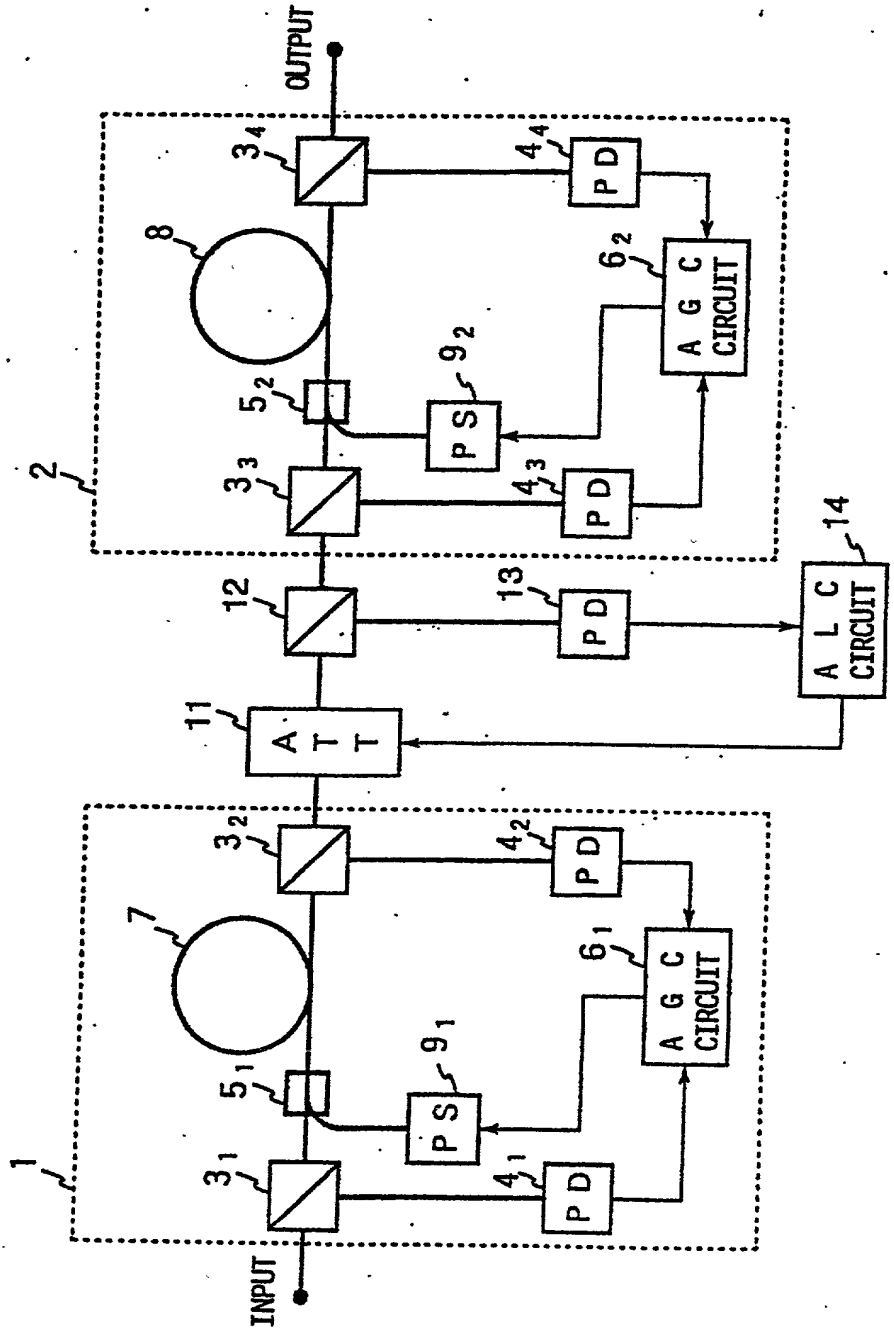
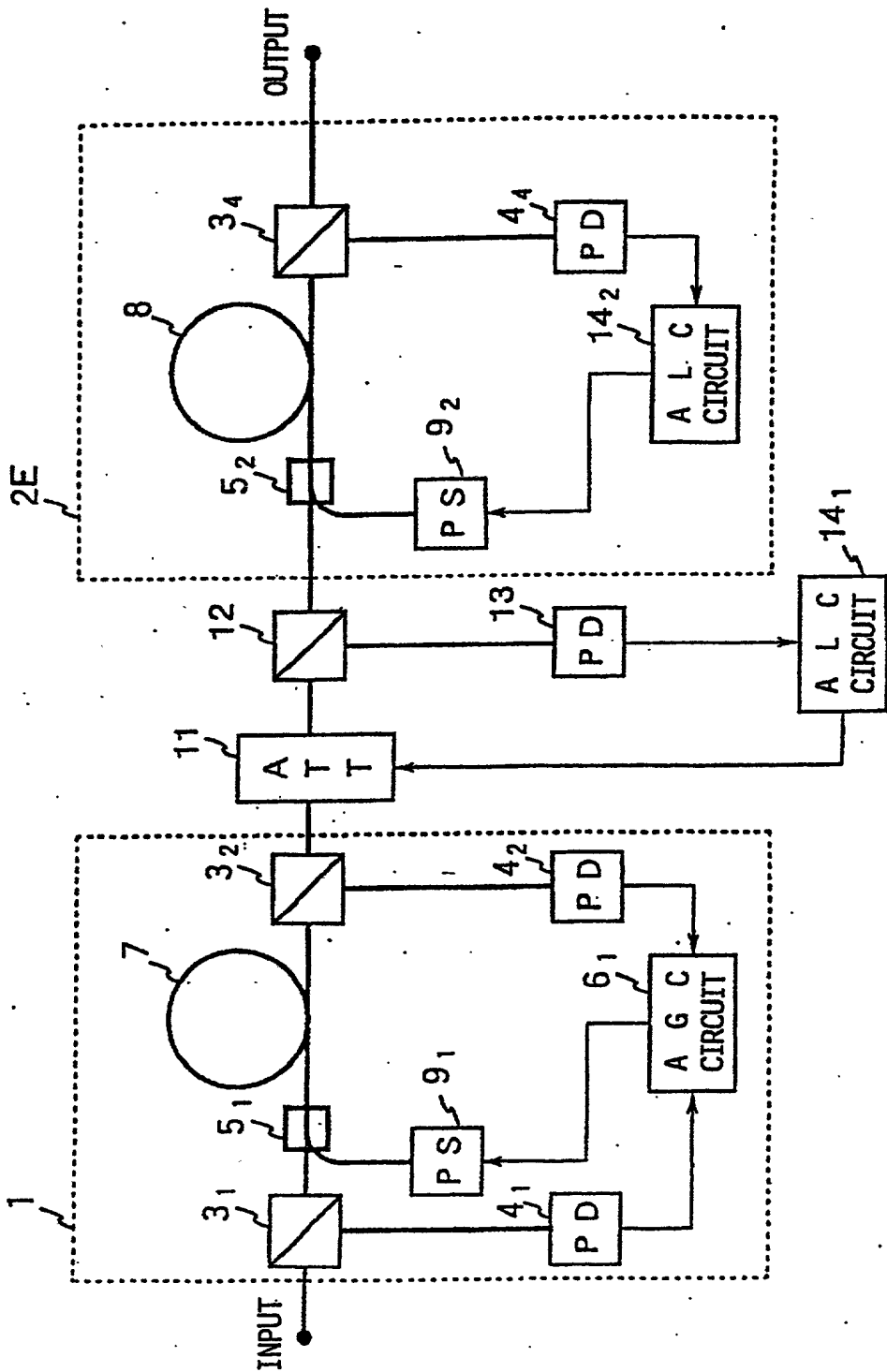


FIG. 14



Patent Office of the United States Department of Commerce
Patent Office of the United States Department of Commerce
Patent Office of the United States Department of Commerce

FIG. 15

